

twyford trays - quadrant upstand

TWYFORD
Trays

simple, stylish, low profile

legs & panel kit & waste to be ordered separately



Quadrant upstand tray

to specify/order:

Please use the eight character reference shown below.

quadrant - 2 upstand shower tray

800mm **TR6621WH**
900mm **TR6631WH**

accessories

Quadrant legset & panel kit **TR6011WH**

90mm high flow waste kit,
chrome plated **SF8888XX**

applications

Commercial, Domestic, Education,
Healthcare, Hotels and Leisure.

material

Tray: 2/2.5mm acrylic capped ABS, reinforced
with limestone filled polyconcrete.

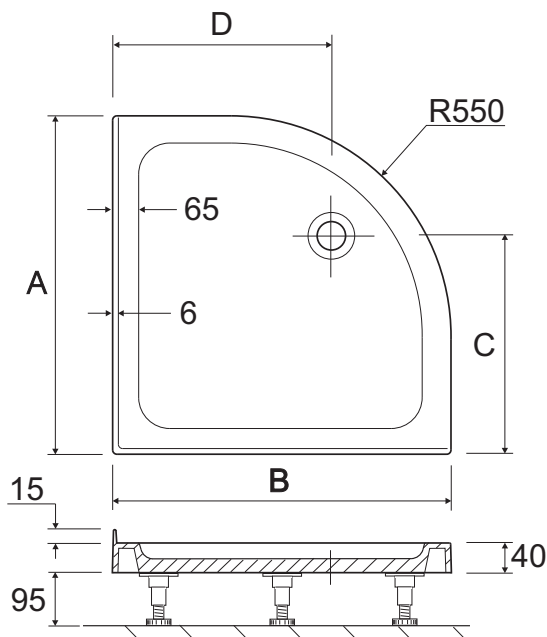
Panel: 2mm gloss UPVC (Unplasticized polyvinyl
chloride).

colours

White WH.

fixings

All trays can be installed flat to floor, or used in
conjunction with legset & panel kit (to be ordered
separately). All fixings and instructions included.



Part Number	Description	A	B	C	D
TR6621WH	800 x 800 2 Upstand Tray	810	810	500	500
TR6631WH	900 x 900 2 Upstand Tray	910	910	600	600

all measurements shown are in millimetres. drawing sizes
are not to scale.

Lawton Road, Alsager, Stoke-on-Trent ST7 2DF, UK
Tel: +44(0) 1270 879777 Fax: +44(0) 1270 873864
www.twyfordbathrooms.com UK Technical Helpline Tel: 0870 840 0437 Fax: 0870 840 0438

Twyford
bathrooms